

# ViewBoard IFP6533-G

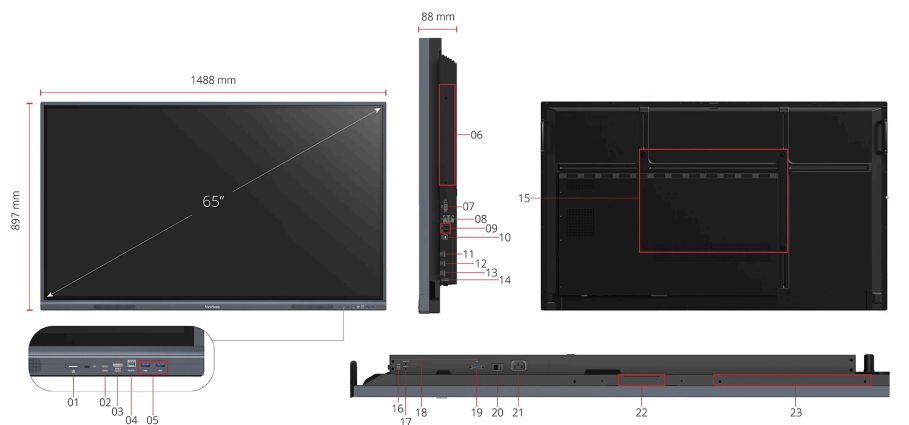
## Key Features

- Multi-tasking capabilities for enhanced lesson delivery
- Embrace simplicity and organization with the USB-C one-cable solution, offering 65W of Power Delivery.
- Intuitive user interface and fast app launch for smooth operation
- Powered by Android 11



## Product Description

The ViewBoard IFP33 Series harmonizes a touch display with versatile software to create a comprehensive classroom solution for interactive and engaging learning. This interactive flat panel delivers exceptional image quality in 4K UHD, thanks to cutting-edge bonding technology that provides clearer colors, enhanced contrast, and reduced glare. The 40-point touchscreen interface, equipped with Ultra Fine Touch Technology, empowers students and teachers to collaborate seamlessly, using either their fingers or dual-tip pens, for an intuitive pen-on-paper experience. Powerful built-in front-facing speakers and a USB-C port sort out for a complete and convenient multimedia experience. The ViewBoard IFP33 Series is preinstalled with myViewBoard to offer advanced lesson delivery options for teachers and powerful device management tools for administrators.



- |                 |              |                                  |                  |
|-----------------|--------------|----------------------------------|------------------|
| 1. POWER ON/OFF | 8. LAN       | 15. VESA® Wall Mount (600x400mm) | 22. Wi-Fi Slot   |
| 2. USB C        | 9. USB 2.0x2 | 16. SPDIF                        | 23. Sensor Mount |
| 3. HDMI 1       | 10. TOUCH 2  | 17. AUDIO in                     |                  |
| 4. TOUCH 1      | 11. HDMI 2   | 18. AUDIO out                    |                  |
| 5. USB 3.0x2    | 12. HDMI 3   | 19. VGA                          |                  |
| 6. OPS Slot     | 13. HDMI OUT | 20. Power On/OFF                 |                  |
| 7. RS-232       | 14. USB      | 21. AC IN                        |                  |



## DISPLAY

|                    |   |
|--------------------|---|
| Panel Size:        | 65"                                     |
| Panel Type:        | TFT LCD Module with DLED Backlight. IPS |
| Display Area (mm): | 1428.48(H) x 803.52(V) (64.5" diagonal) |
| Aspect Ratio:      | 16:9                                    |
| Resolution:        | UHD 3840x2160(Pixels)                   |
| Colors:            | 1.07B colors                            |
| Brightness:        | 350 nits                                |
| Contrast Ratio:    | 5000:1 (max. with DCR enabled)          |
| Response Time:     | 8ms                                     |
| Viewing Angles:    | H=178, V=178                            |
| Backlight Life:    | 50,000 Hours (8 hours of use per day)   |
| Surface Treatment: | Hardness: 7H Anti-glare coating         |
| Orientation:       | Landscape                               |

## PLATFORM

|            |                               |
|------------|-------------------------------|
| Processor: | Quad-core ARM Cortex (A55*4 ) |
| RAM:       | 8GB DDR4                      |
| Storage:   | 128 GB                        |

## TOUCH

|              |                             |
|--------------|-----------------------------|
| Type/ Tech:  | Ultra Fine Touch Technology |
| Touch Point: | 40 points touch             |

## INPUT

|            |   |
|------------|---|
| HDMI:      | HDMI-IN 2.0 x 3 (3840x2160 @60Hz)             |
| RGB / VGA: | x1  |
| Audio:     | x1  |
| RS232:     | x1  |
| OPS:       | x1 (Optional Intel Standard OPS)              |
| WiFi:      | x1 (Optional VB-WIFI-002/VB-WIFI-004/VSB-050) |

## OUTPUT

|        |             |
|--------|-------------|
| HDMI:  | HDMI 2.0 x1 |
| Audio: | x1          |
| SPDIF: | x1          |

## LAN

|       |    |
|-------|----|
| RJ45: | x2 |
|-------|----|

## USB

|         |  |
|---------|--|
| Type A: | USB3.0:Front x2, Rear x2;<br>USB2.0 x1                   |
| Type B: | x2 (Rear x1 + Front x1)                                  |
| Type C: | Front*1 (PD65W + DP1.2 + Data USB2.0 + 10M/100M sharing) |

## SPEAKERS

|         |
|---------|
| 16W x 2 |
|---------|

## TOP CAMERA PLATE

## BUNDLE SOFTWARE

|  |   |
|--|---|
| Basic Annotation Software:                                 | myViewBoard Whiteboard  |
| Pro Annotation Software:                                   | myViewBoard for Windows (Embedded in optional Windows Slot-in PC) |
| Wireless Presentation:                                     | myViewBoard Display   |
| Wireless Presentation with Touch Feedback: Viewboard Cast: | Yes   |

## SPECIAL FEATURES

|  |  |
|--|--|
| All-in-one USB port:                               | (combine slot-in PC/Android/HDMI USB port) Front "SmartPort™ USB" to all channels. |
| Simple LAN sharing between IFP and slot-in device: | 10/100M for Android & Slot-in PC   |
| Light Sensor:                                      | Yes  |

## POWER

|              |                      |
|--------------|----------------------|
| Voltage:     | 100-240V AC          |
| Consumption: | On:99W ; Off: ≤ 0.5W |

## ERGONOMICS

|                     |         |
|---------------------|---------|
| Wall Mount (VESA®): | 600*400 |
|---------------------|---------|

## OPERATING CONDITIONS

|                    |                             |
|--------------------|-----------------------------|
| Temperature (° C): | 0°C to 40°C                 |
| Humidity:          | 20% ~ 80% RH non-condensing |

## DIMENSIONS (W X H X D)

|                        |   |
|------------------------|---|
| Physical (inch / mm):  | 1488 x 897 x 88 mm / 58.6 x 35.3 x 3.5 in |
| Packaging (inch / mm): | 1628x1005x208 mm / 64.1x 39.6x 8.2in      |

## WEIGHT

|                  |                |
|------------------|----------------|
| Net (lb / kg):   | 77.1lb/34.95kg |
| Gross (lb / kg): | 98.5 lb/44.7kg |

## REGULATIONS

FCC/ICES003, EPEAT, CE EMC, LVD or CB, RoHS Green BOM, & RoHS DoC, ErP, REACH SVHC List, & DoC, EEL, WEEE, BSMI,BIS

## PACKAGE CONTENTS

1. 3m power cord by ship area 2. Remote control with AAA battery 3. 3m touch USB cable 4. Touch pen x 2 (VB-PEN-009) 5. Quick Start Guide + Compliance statement 6. RS232 adapter 7. Clamp x 5 8. Camera Plate 9. Screw x 8 (camera 2+2, wall mount 4) 10. HDMI cable 3m

## COMPATIBLE SLOT-IN PC

|  |
|--|
| VPC2-O series/VPC2-O-1B series/VPC12-WPO-15/16 |
|--|



Yes

**EMBEDDED OS**

Android 11

Copyright © ViewSonic Corporation 2000-2024. All rights reserved.

